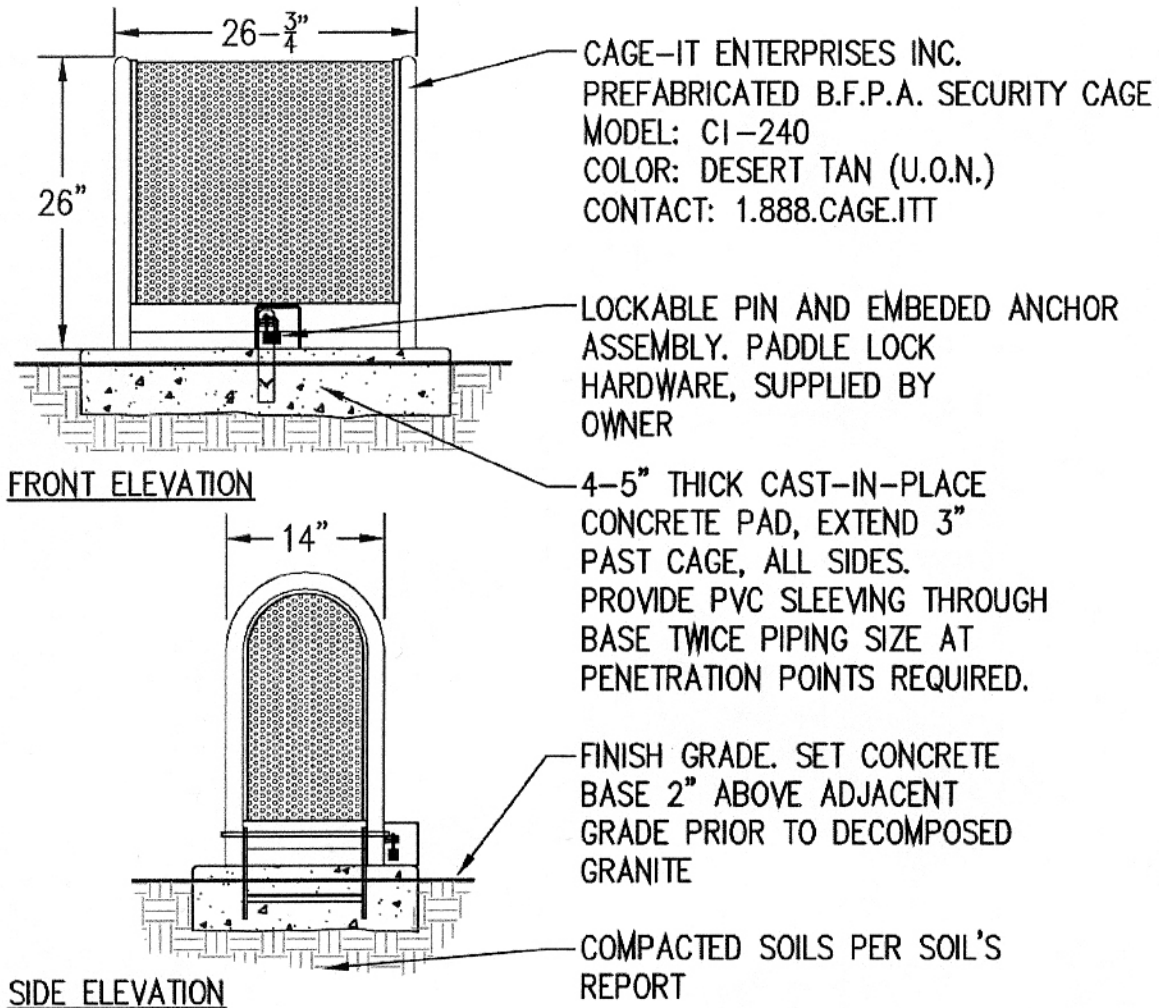




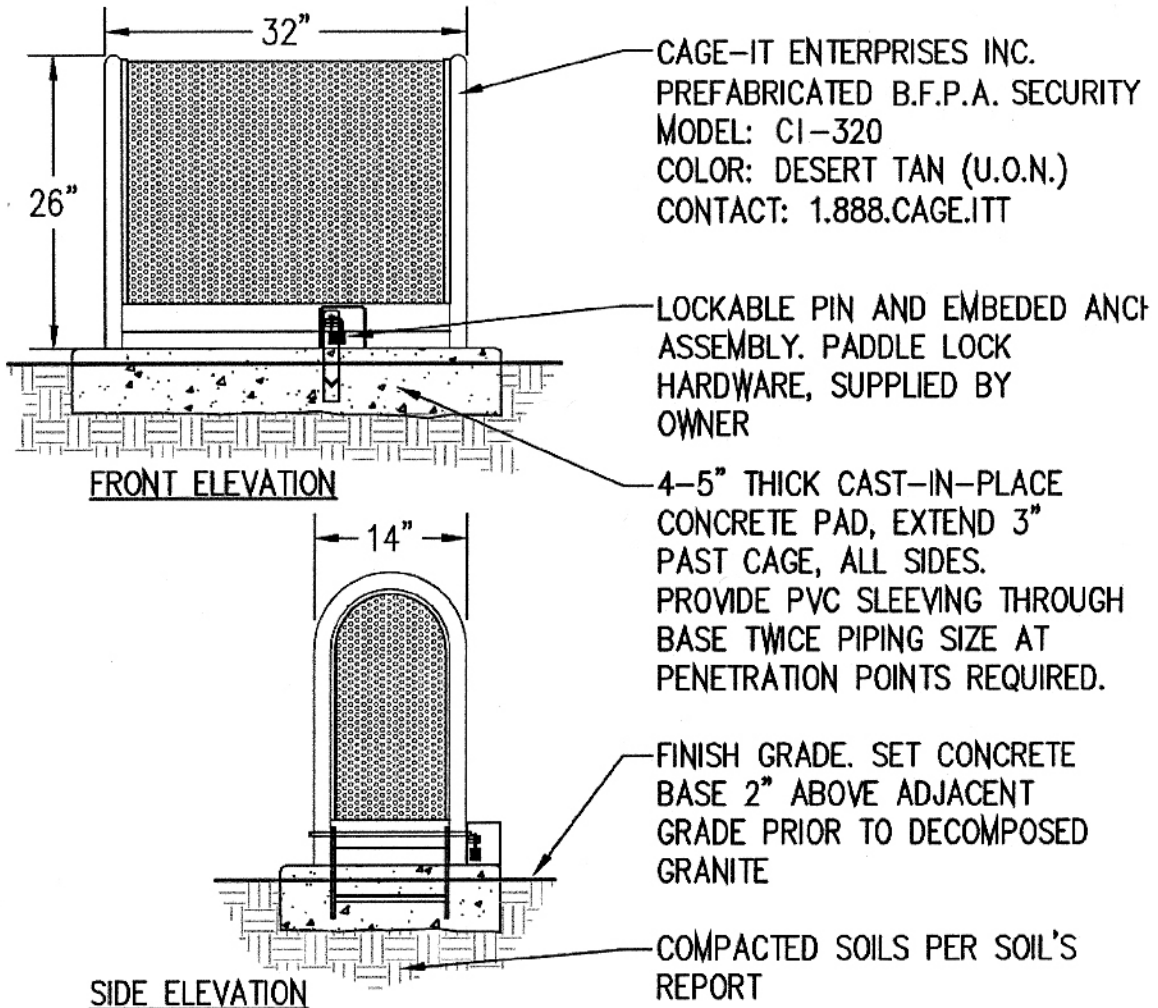
1-888-CAGE-IT  
www.cage-it.com



## B.F.P.A. SECURITY CAGE



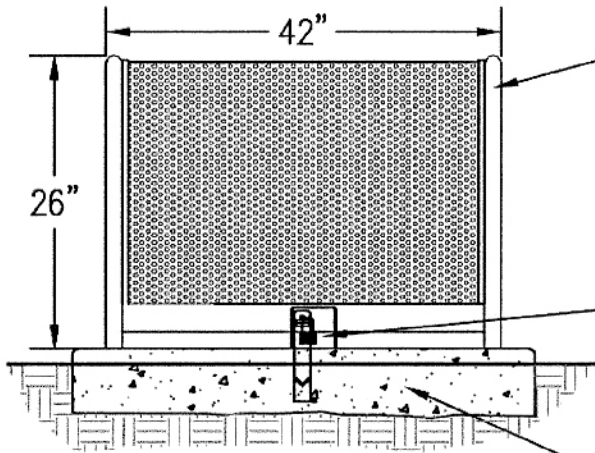
1-888-CAGE-IT  
www.cage-it.com



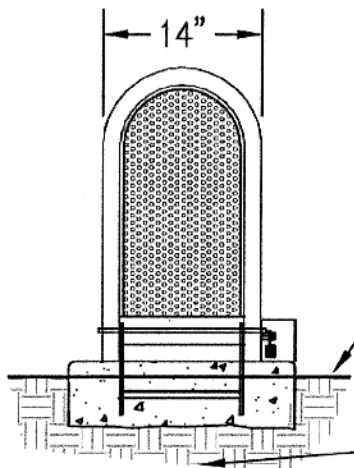
## B.F.P.A. SECURITY CAGE



1-888-CAGE-IT  
www.cage-it.com



FRONT ELEVATION



SIDE ELEVATION

CAGE-IT ENTERPRISES INC.  
PREFABRICATED B.F.P.A. SECURITY CAGE  
MODEL: CI-420  
COLOR: DESERT TAN (U.O.N.)  
CONTACT: 1.888.CAGE.ITT

LOCKABLE PIN AND EMBEDDED ANCHOR  
ASSEMBLY. PADDLE LOCK  
HARDWARE, SUPPLIED BY  
OWNER

4-5" THICK CAST-IN-PLACE  
CONCRETE PAD, EXTEND 3"  
PAST CAGE, ALL SIDES.  
PROVIDE PVC SLEEVING THROUGH  
BASE TWICE PIPING SIZE AT  
PENETRATION POINTS REQUIRED.

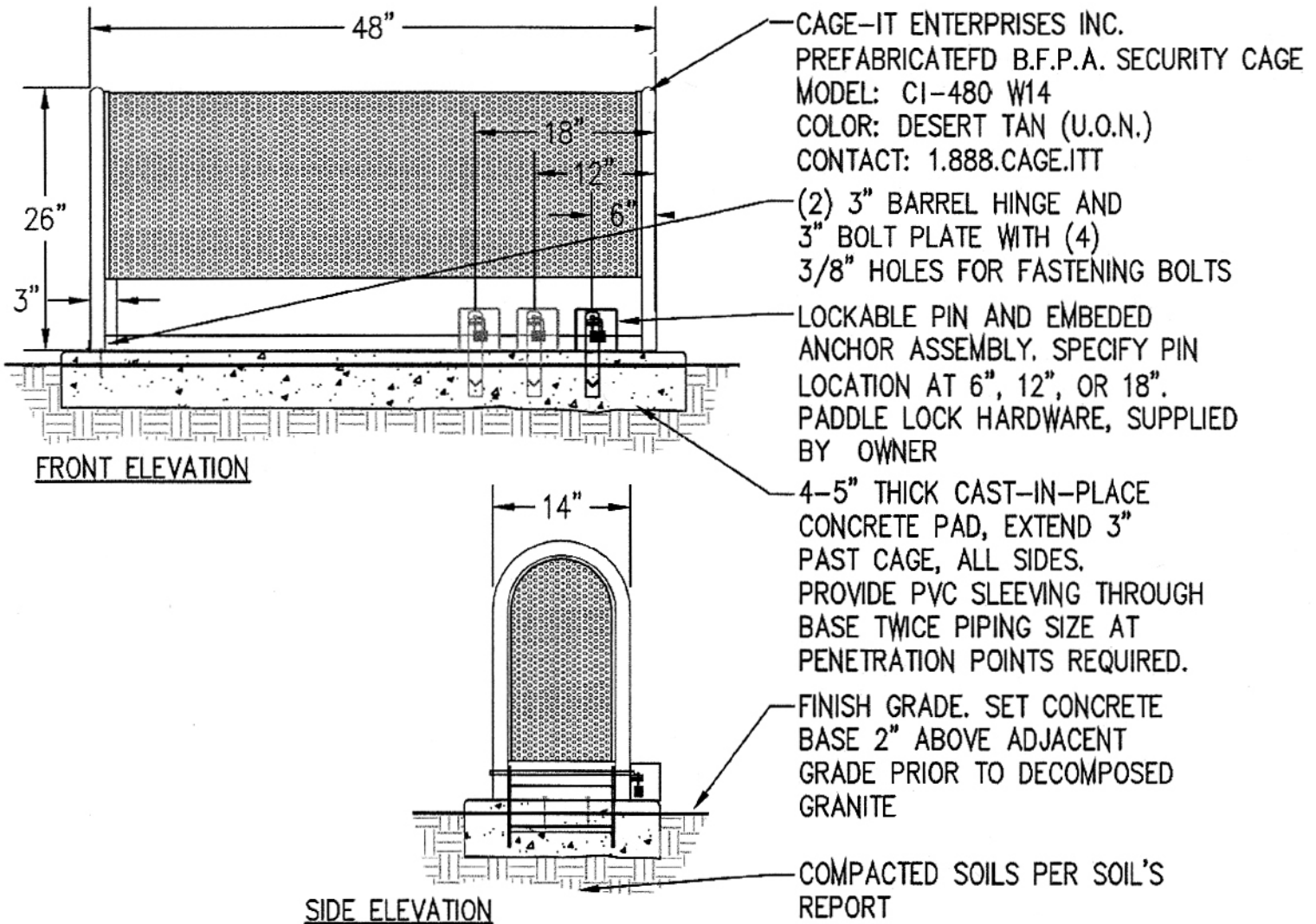
FINISH GRADE. SET CONCRETE  
BASE 2" ABOVE ADJACENT  
GRADE PRIOR TO DECOMPOSED  
GRANITE

COMPACTED SOILS PER SOIL'S  
REPORT

## B.F.P.A. SECURITY CAGE



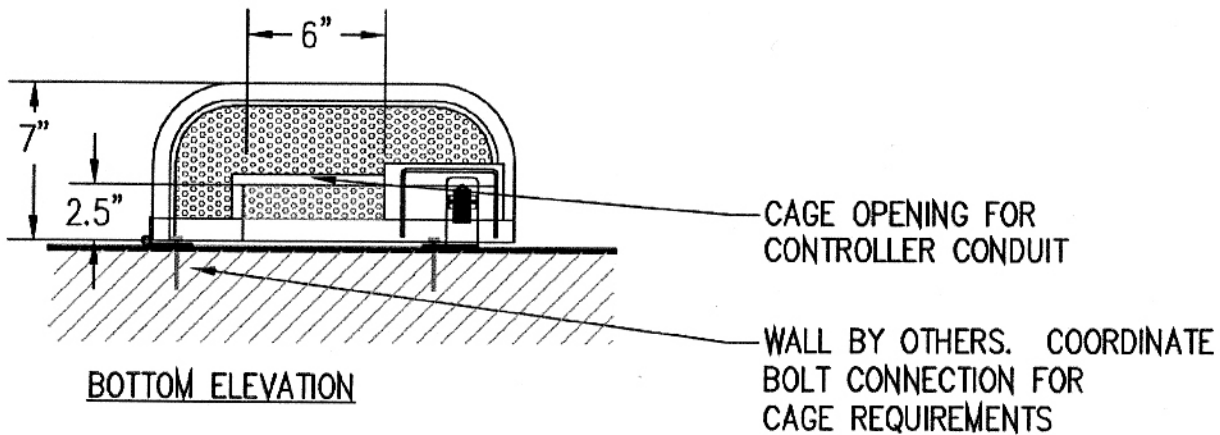
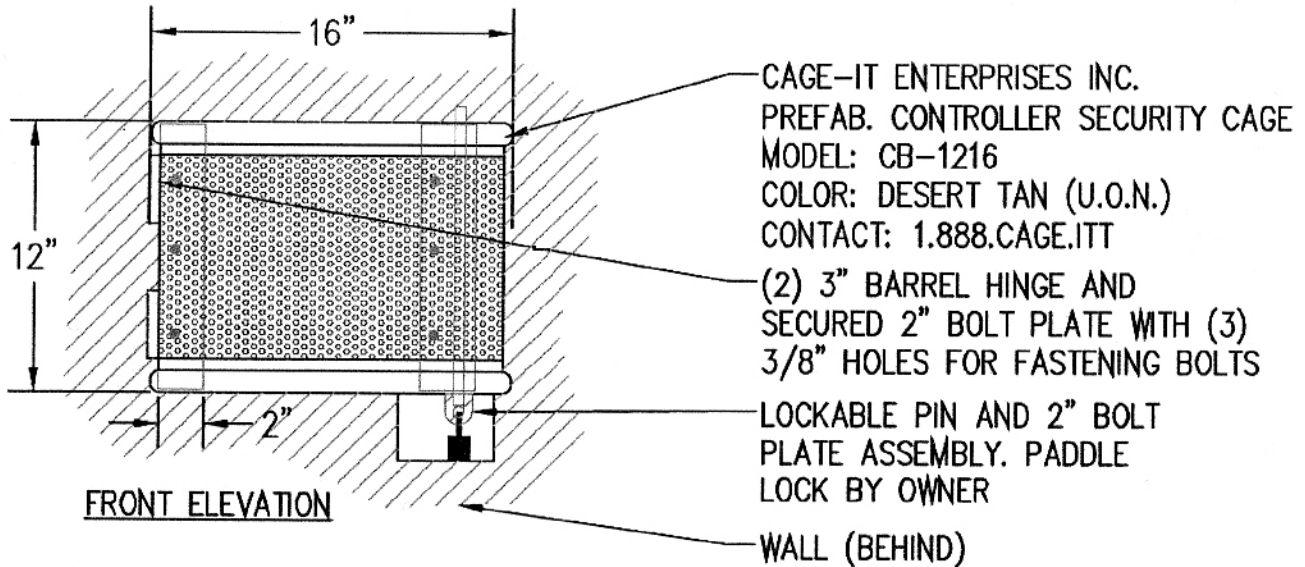
1-888-CAGE-IT  
www.cage-it.com



## B.F.P.A. SECURITY CAGE



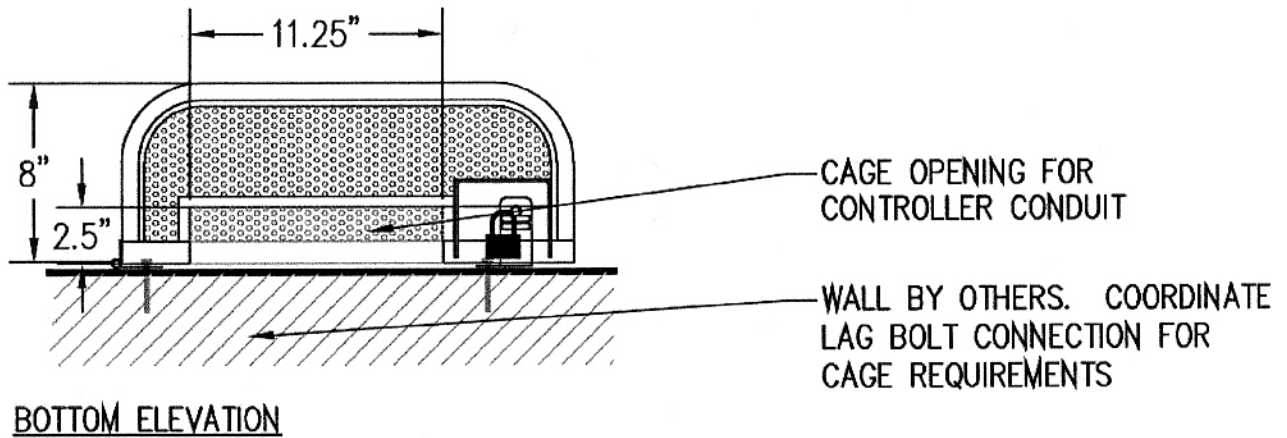
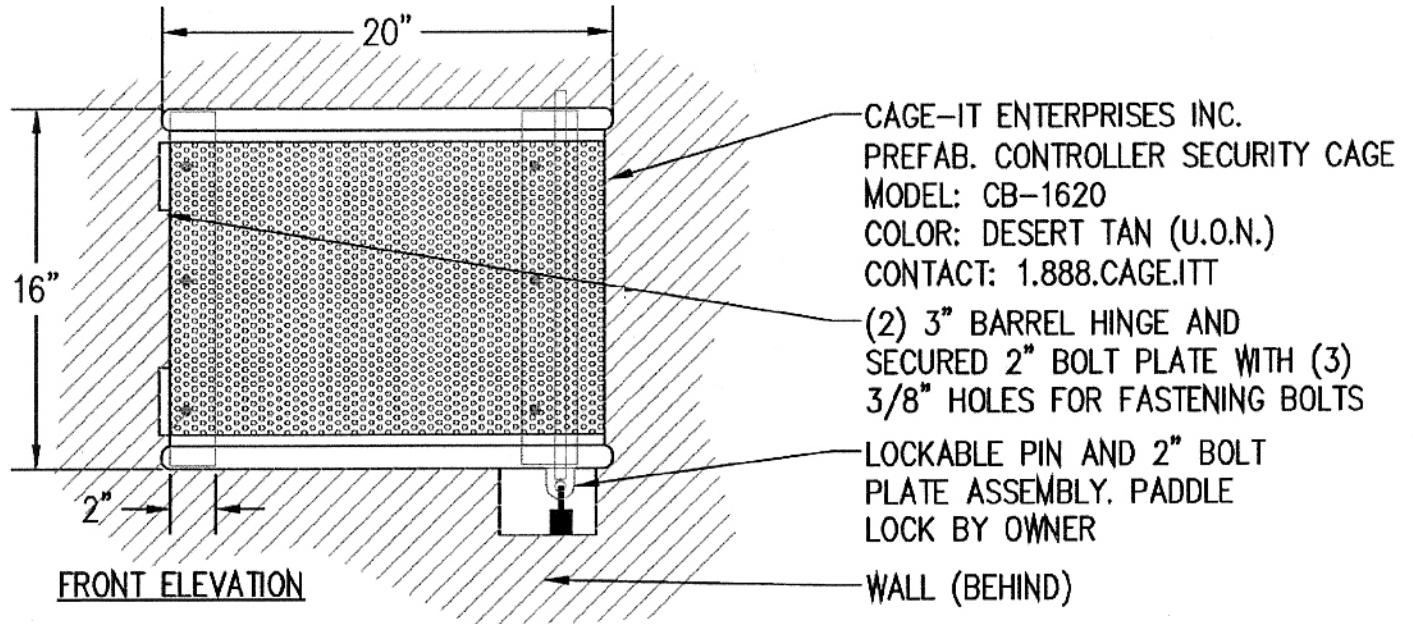
1-888-CAGE-IT  
www.cage-it.com



## CONTROLLER SECURITY CAGE



1-888-CAGE-IT  
www.cage-it.com



## CONTROLLER SECURITY CAGE